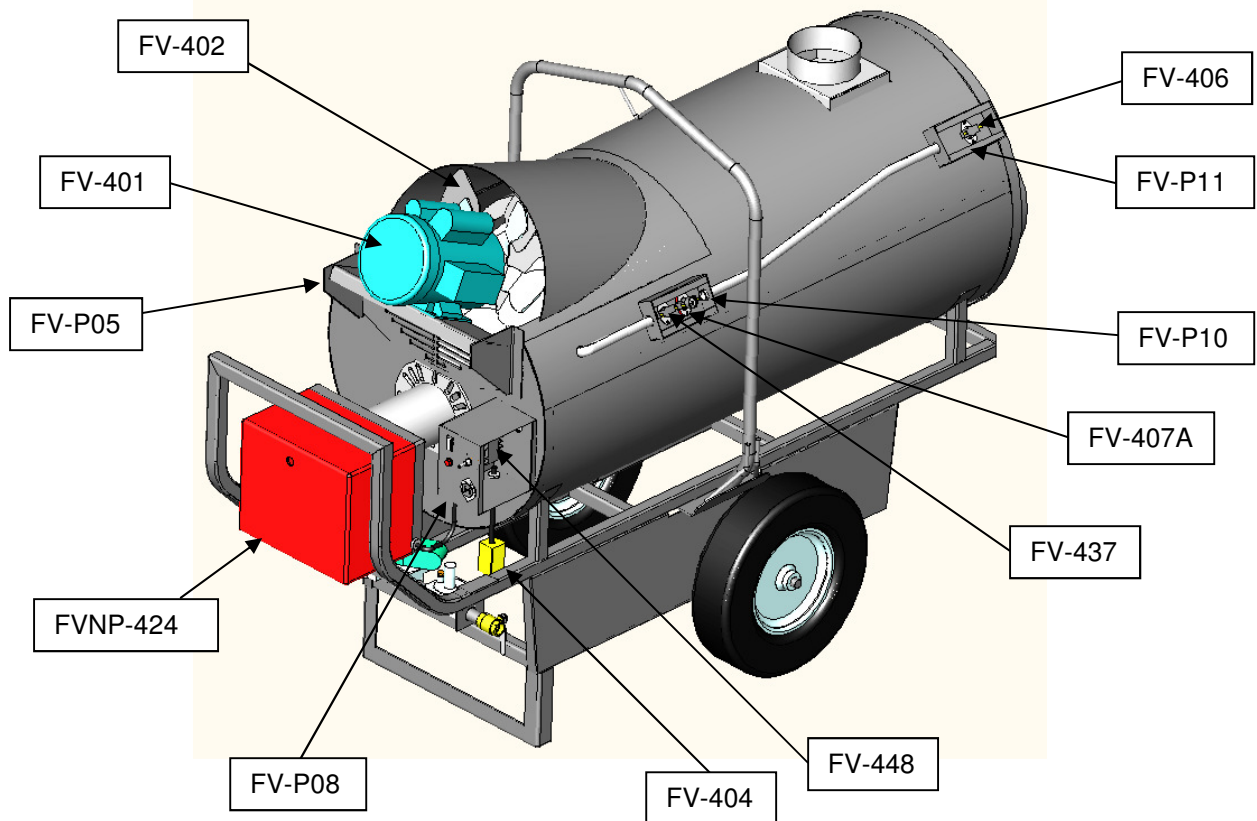
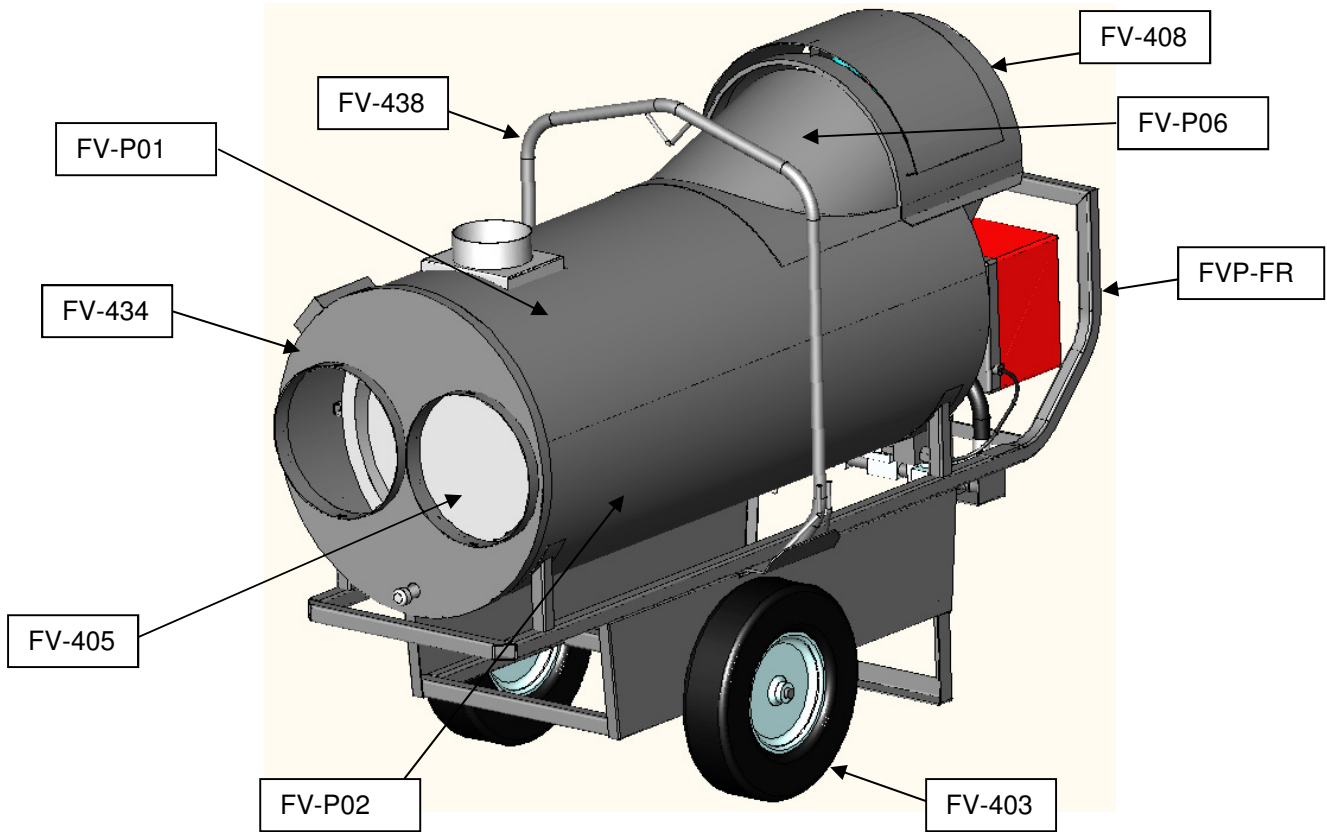
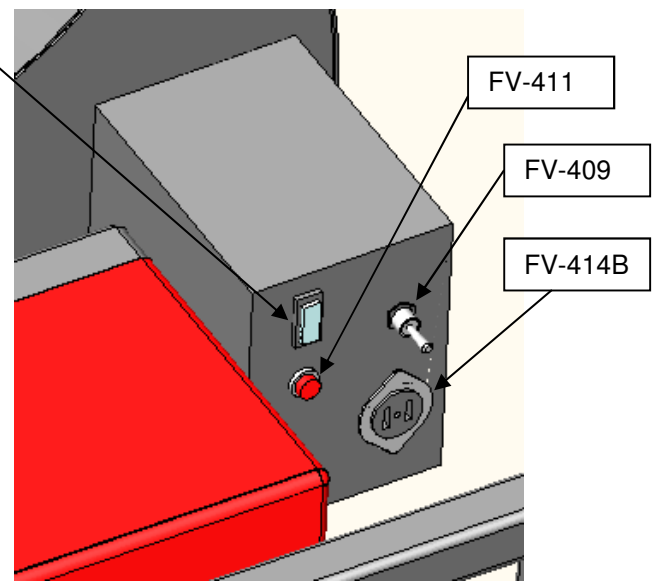
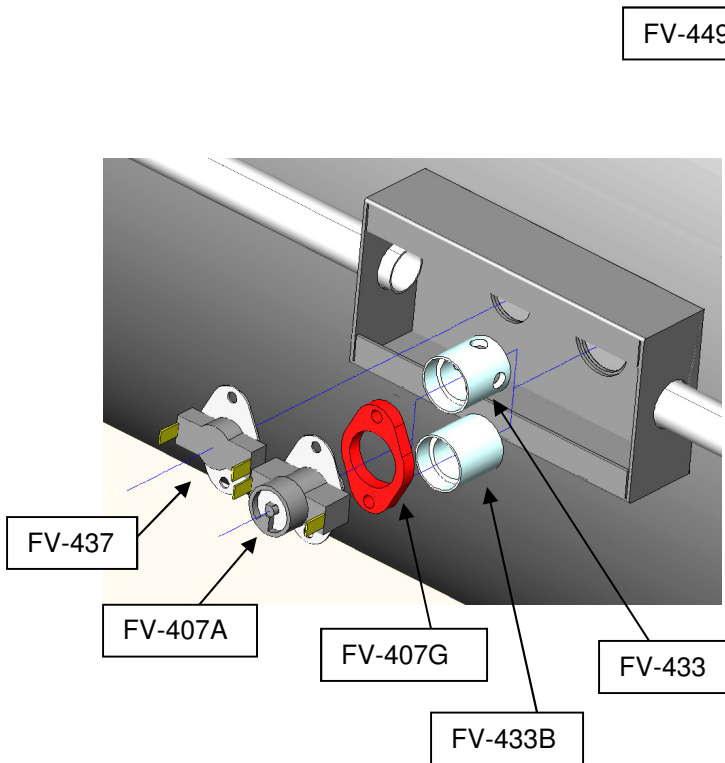
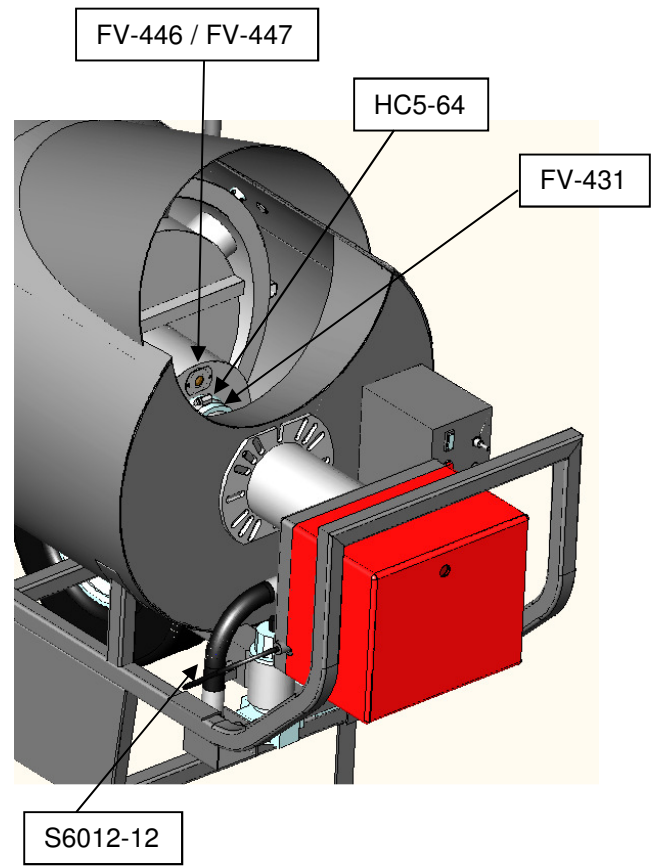
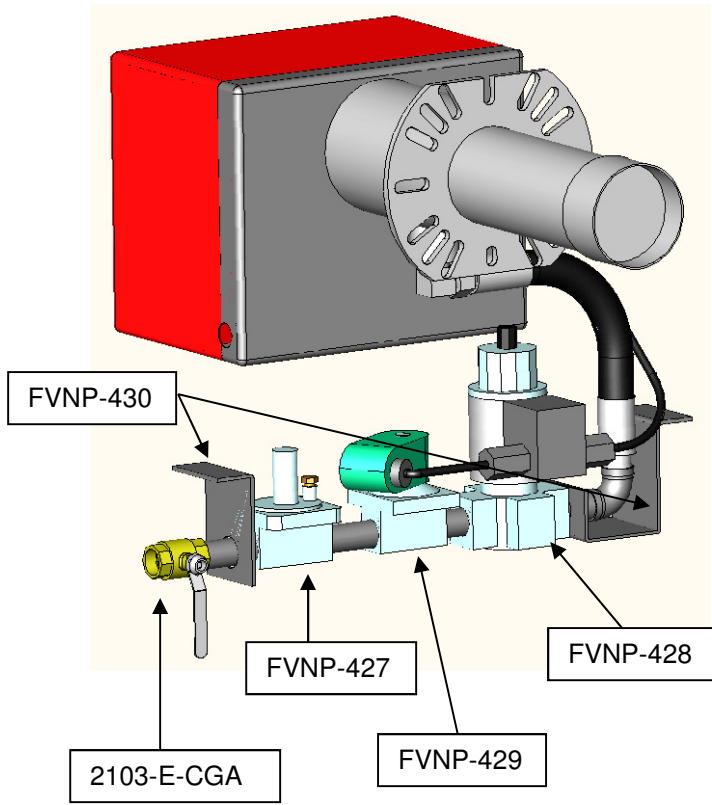


PARTS DIAGRAM – FVNP-400





PARTS LIST FOR FVNP-400

Part Number	Part Description	
FV-401	PRIMARY FAN MOTOR	
FV-402	16" FAN BLADE	
FV-403	16" WHEEL	
FV-404	18" POWER CORD C/W PLUG END	
FV-405	SS HEAT EXCHANGER	
FV-406	HIGH LIMIT SWITCH (OUTLET)	
FV-407A	FAN LIMIT SWITCH (ADJUSTABLE)	
FV-407G	FAN LIMIT SILICONE GASKET	
FV-408	FAN MOTOR CANOPY	
FV-409	TOGGLE SWITCH (ON CONTROL BOX)	
FV-410	GREEN LIGHT (ON CONTROL BOX) PRIOR TO 2009	
FV-411	RED LIGHT (ON CONTROL BOX)	
FV-414	THERMOSTAT PLUG (ON CONTROL BOX)	
FV-414A	THERMOSTAT PLUG (ON CONTROL BOX) 2008>	
FV-414B	THERMOSTAT PLUG (ON CONTROL BOX) 2011>	
FV-415	FEMALE CONNECTOR FOR FV-THA	
FV-415A	FEMALE CONNECTOR FOR FV-THB	
FVNP-424	RIELLO BURNER	
FVP-425	LP BURNER ORIFICE FOR FVP-400	
FVN-426	NG BURNER ORIFICE FOR FVN-400	
S6012-12	VALVE ASSEMBLY HOSE	
349-12E	STEEL ELBOW (3/4" MP X 3/4" JIC. FFL)	
40-100-12	SCH 40 ELBOW (3/4")	
FVNP-427	MAXITROL REGULATOR (RV52)	
FVNP-428	MAG TYPE 200 SOLENOID VALVE	
FVNP-429	ASCO SOLENOID VALVE	
FVNP-430	VALVE ASSEMBLY MOUNTING BRACKETS (2)	
FV-431	BURNER GASKET	
FV-433	FEELER GAUGE	
FV-433B	FEELER GAUGE - SOLID	
FV-434	FRONT FACE PLATE (2 X12")	
FV-437	HIGH LIMIT (REAR)	

FV-438	LIFTING HARNESS	
FV-446	SIGHT GLASS C/W FIBER GASKET	
FV-447	SIGHT GLASS WASHER	
FV-448	MAIN RELAY	
FV-449SI	SMART INDICATOR - 2009 >	
FVNP-300162	IGNITION MODULE	
FVNP-3002307	G400 BURNER SUB-BASE	
FVNP-3005447	GAS PRESSURE TEST POINT ADAPTER	
FVNP-3005834	CAPACITOR	
FVNP-3006356	MOUNTING FLANGE	
FVNP-3006688	CHASSIS MOUNTING COLLAR	
FVNP-3006699	DISTRIBUTOR HEAD & MIXING PLATE	
FVNP-3007223	CHASSIS FRONT PLATE	
FVNP-3007239	BURNER BACK COVER	
FVNP-3007276	ELECTRODE ASSEMBLY	
FVNP-3007277	FLAME ROD ASSEMBLY	
FVNP-3007288	AIR SWITCH TUBE & CONNECTOR	
FVNP-3007293	AIR TUBE COVER PLATE	
FVNP-3007300	MANIFOLD- LONG	
FVNP-3007310	IONIZATION LEAD	
FVNP-3007448	GROUND LEAD & CONNECTOR FOR BURNER	
FVNP-3020321	AIR PRESSURE SWITCH FOR BURNER	

	ACCESSORIES	
FV-HD12	12" X 12-FT HITEX DUCTING	
FV-HD16x25	16" X 25-FT HITEX DUCTING	
FV-TH	THERMOSTAT C/W 25FT CORD/MALE PLUG END (BEFORE 2008)	
FV-THA	THERMOSTAT C/W 25FT CORD/FEMALE PLUG END (AFTER 2008)	
FV-THB	THERMOSTAT C/W 25FT CORD/FEMALE PLUG END (AFTER 2011)	
FVN-427	LP TO NG CONVERSION KIT FOR FVP-400	
FVP-425	NG TO LP CONVERSOIN KIT FOR FVN-400	
FV-VK	6" X 3FT C-VENT C/W RAIN CAP	